

# OPTICAL FIBER

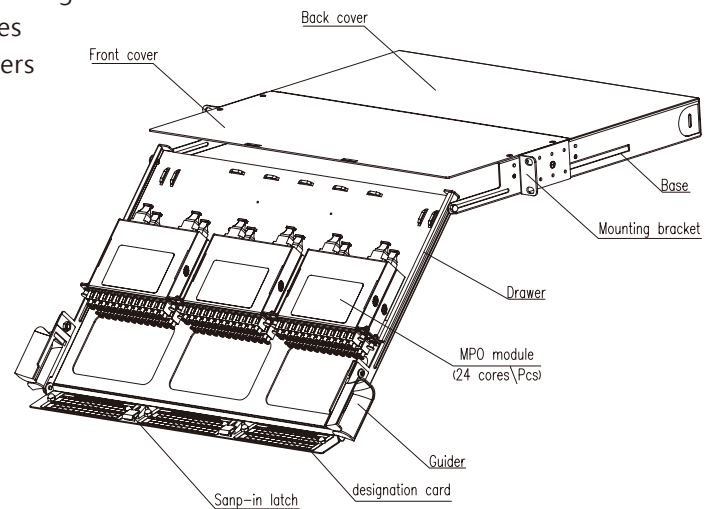
## AIS MPO / MTP High Density Datacenter Solution

### Product Introduction

AIS has brought you series high-end, high precision, high density MPO/MTP fiber optic connectivity products, from cassettes, super high density 114 core 1 unit distribution frame, trunk cable, adapters to fan-out cables. We adopt US Conec connectors and adapters to ensure the best peak transmission quality.

### Product Features

- The world' s highest density 144 core fiber in the industry, saving your precious datacenter space
- High precision MPO/MTP alignment pins, low loss, allow the performance reaches to the peak
- Pre-terminated LC fan-out cable, no splicing needed, save installation time and cost
- Pre-terminated MPO/MTP Trunk cable, plug-in-and-play, easy installation
- Sliding drawer 45 degree tilted down design, easy and neat installation
- Single mode and Multimode is classified in different color
- Low insertion loss, low optical reflection
- Support 10G and 40G transmission requirement
- All AIS MPO / MTP cables can be custom made into different lengths
- Each unit ODF can be mounted 6 high density MPO cassettes
- Each high density MPO cassette contains 24 ports LC adapters
- Patented LC connector locking device
- Port identification cards is equipped
- For standard 19 inch cabinet



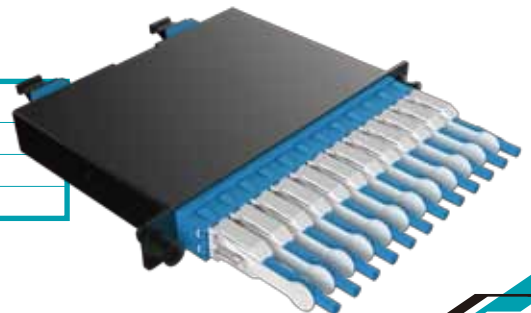
### The world' s highest density 144 core optical distribution frame

Product Code	Description
AF-530N0BK	MPO/MTP High Density 144 port ODF, with station identification

### The world' s highest density 24 port MPO/MTP cassette

- Each high density MPO cassette contains 24 ports LC adapters
- Patented LC connector locking device

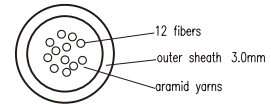
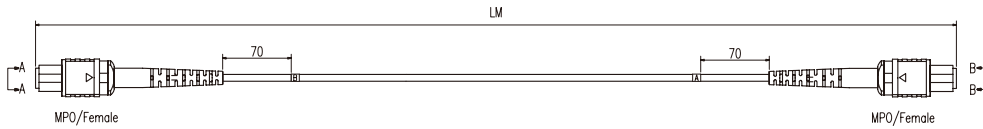
Product Code	Description
AF-500NQBK	MPO/MTP OM3 high density 24 port LC cassette
AF-500NRBK	MPO/MTP OM4 high density 24 port LC cassette
AF-500NZBK	MPO/MTP OS2 high density 24 port LC cassette



## Pre-terminated MPO Trunk cable

Connector	Polishing Type	Loss (low)	Loss (Max.)	Return Loss (Min.)
MPO	SM APC	0.20dB	0.75dB	50dB
MPO	MM UPC	0.10dB	0.50dB	20dB

Product Code	Description
AF-560NQAQ-XX	MPO / MTP OM3 12 core trunk cable, Aqua color jacket
AF-561NQAQ-XX	MPO / MTP OM3 24 core trunk cable, Aqua color jacket
AF-560NRAQ-XX	MPO / MTP OM4 12 core trunk cable, Aqua color jacket
AF-561NRAQ-XX	MPO / MTP OM4 24 core trunk cable, Aqua color jacket
AF-560NZYE-XX	MPO / MTP OS2 12 core trunk cable, Yellow color jacket
AF-561NZYE-XX	MPO / MTP OS2 24 core trunk cable, Yellow color jacket

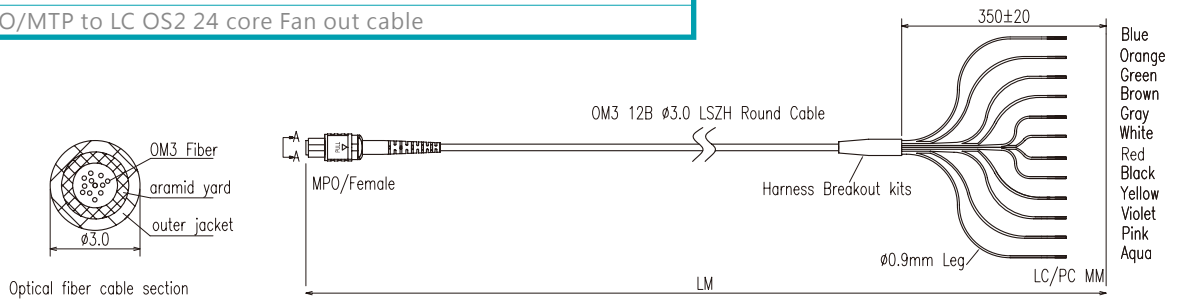


Optical fiber cable section

## Fan out MPO/MTP cable

Connector	Polishing Type	Loss (low)	Loss (Max.)	Return Loss (Min.)
MPO	SM APC	0.20dB	0.75dB	50dB
LC APC	SM UPC	0.20dB	0.50dB	55dB
LC UPC	SM APC	0.30dB	0.50dB	65dB

Product Code	Description
AF-570NQAQ-XX	MPO/MTP to LC OM3 12 core Fan out cable
AF-571NQAQ-XX	MPO/MTP to LC OM3 24 core Fan out cable
AF-570NRAQ-XX	MPO/MTP to LC OM4 12 core Fan out cable
AF-571NRAQ-XX	MPO/MTP to LC OM4 24 core Fan out cable
AF-570NZYE-XX	MPO/MTP to LC OS2 12 core Fan out cable
AF-571NZYE-XX	MPO/MTP to LC OS2 24 core Fan out cable



## MPO/MTP adapter coupler panel

- Each 1u panel can be loaded with 4 removable plates
- Each plate can be loaded with 6 MPO/MTP adapters
- For standard 19 inch cabinet



Product Code	Description
AF-531N0BK	MPO/MTP Adapter coupler panel

## MPO/MTP adapter (coupler)

Product Code	Description
AF-590NQBK	MPO/MTP OM3 adapter
AF-590NRBK	MPO/MTP OM4 adapter
AF-590NZBK	MPO/MTP OS2 adapter

